



Feature -

- water proof IP67 sealed
- SPST, momentary function
- snap in panel installation
- bi-color LED illuminated available

Application -

- automotive industry
- office appliances
- communication equipments
- racing helmet

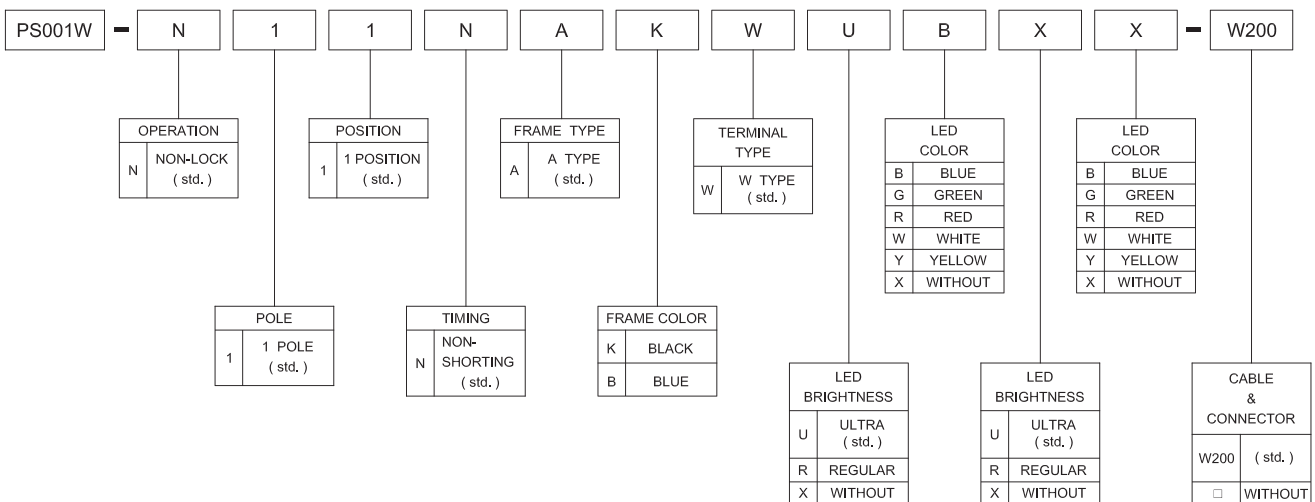
► SPECIFICATIONS

SWITCH SPECIFICATIONS	
POLE - POSITION	Momentary Type , SPST with LED
CONTACT RATING	30 V DC , 0.1 A
CONTACT RESISTANCE	50 mΩ MAX. 1.5 V DC ; 100 mA , by Method of Voltage DROP
INSULATION RESISTANCE	100 MΩ MIN. 500 V DC
DIELECTRIC STRENGTH	Breakdown is not Allowable ; 500 V AC for 1 Minute
OPERATING FORCE	400 ± 100 gf
OPERATING LIFE	50,000 cycles
OPERATING TEMPERATURE RANGE	-40°C ~ 85°C
TOTAL TRAVEL	1.0 ± 0.3 mm
SEALING	IP67

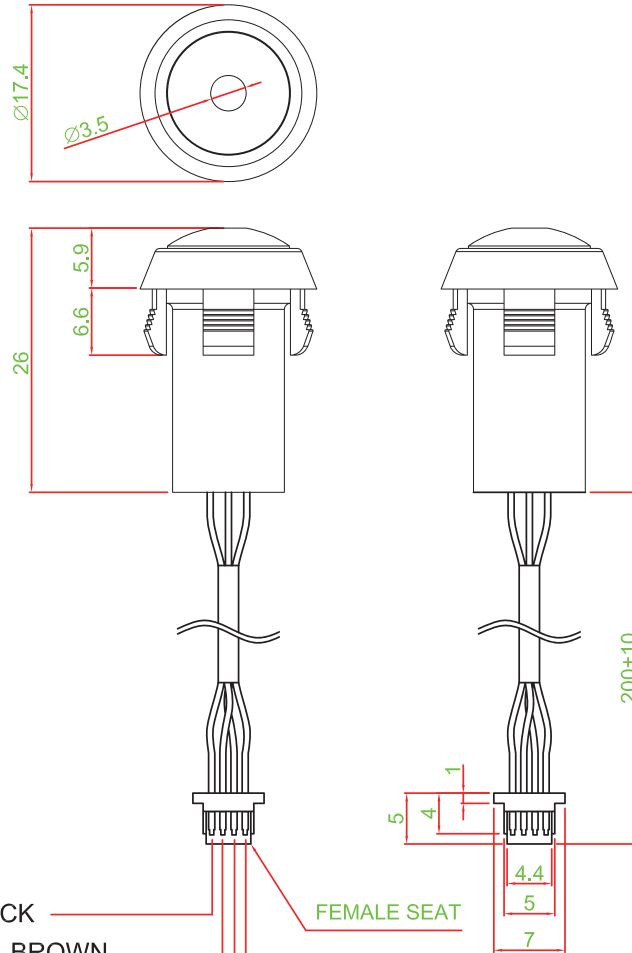
LED SPECIFICATIONS		Unit	Value / LED Color			
			Blue	Green	Red	Yellow
ATTENTION (+) (-) LEDs are Electrostatic Sensitive devices						
FORWARD CURRENT	If	mA	20	20	20	20
REVERSE VOLTAGE	Vr	V	5.0	5.0	5.0	5.0
REVERSE CURRENT	Ir	µA	10	10	10	10
FORWARD VOLTAGE@20mA	Vf	V	3.3-4.0	2.1-2.5	2.0-2.5	2.0-2.5
LUMINOUS INTENSITY@20mA	Iv	mcd	1300	700	900	700

■ Physical and electrical information of LED will be provided upon customer's request on switches .

► HOW TO ORDER



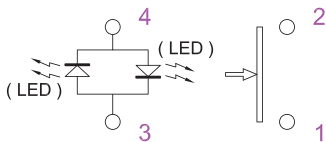
▶ DIMENSION



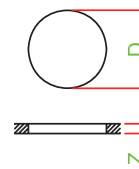
- 1 (VBAT) BLACK
- 2 (P SWITCH) BROWN
- 3 (LED +) RED
- 4 (LED -) ORANGE

PS001W-N11NAKW□ □ □ □ -W200

▶ CIRCUIT



▶ PANEL CUT OUT



Z	D
1.0 ~ 2.0	15.2 ~ 15.4
2.0 ~ 2.5	15.4 ~ 15.8
2.5 ~ 3.0	15.8 ~ 16.0

▶ MATERIAL

- COVER : PA + GF
- BASE FRAME : PA + GF
- ACTUATOR : PC
- TERMINAL : BRASS GOLD FLASH